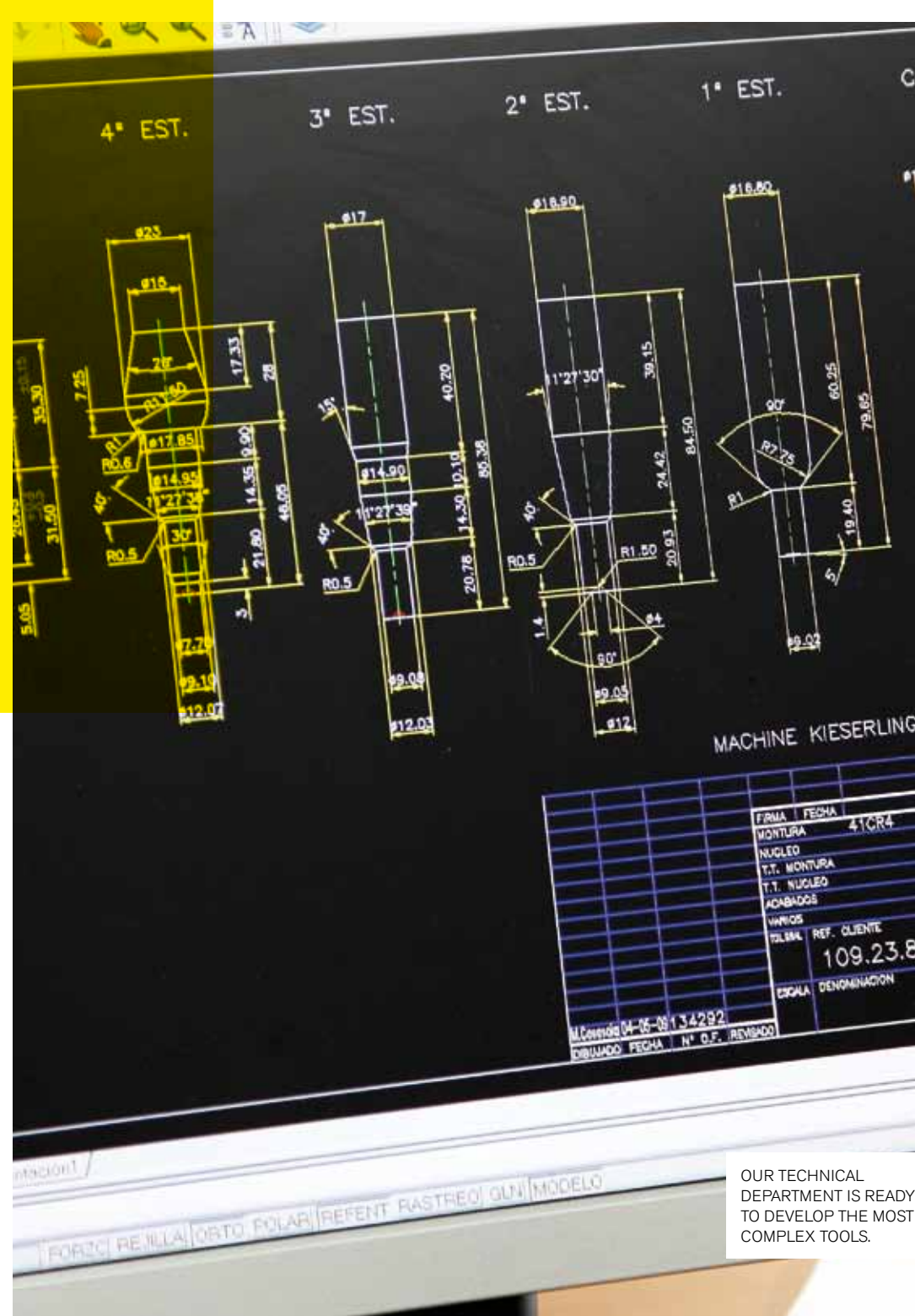
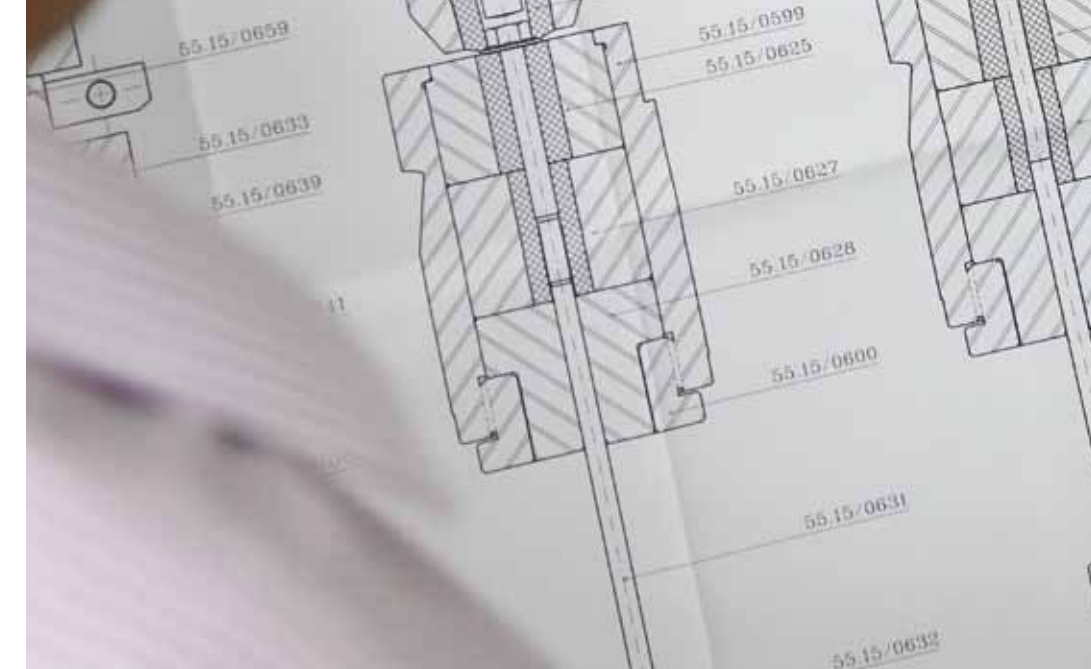




INSIDE

**A COMPANY
FOCUSED ON
TOTAL QUALITY.
IT DOESN'T
MATTER HOW
DIFFICULT IT IS:
OUR CHALLENGE
IS TO ACHIEVE IT.**



OUR TECHNICAL DEPARTMENT IS READY TO DEVELOP THE MOST COMPLEX TOOLS.

FULLY EQUIPPED
4000 M2 FACILITIES
AND MORE THAN
70 PROFESSIONALS
WORKING FOR YOU.





TEMSA HAS AUTOMATED AND ROBOTIZED PRACTICALLY THE WHOLE MANUFACTURING PROCESS.

EDM EROSION IS ACCOMPLISHED WITH ONE-SOLID-PIECE ELECTRODES.



FULLY AUTOMATED
MACHINES FITTED
WITH DIGITAL 3D
MEASURING SYSTEMS.



MANUAL POLISHING.
THE IMPORTANCE IS
ON THE DETAILS.



TEMSA®